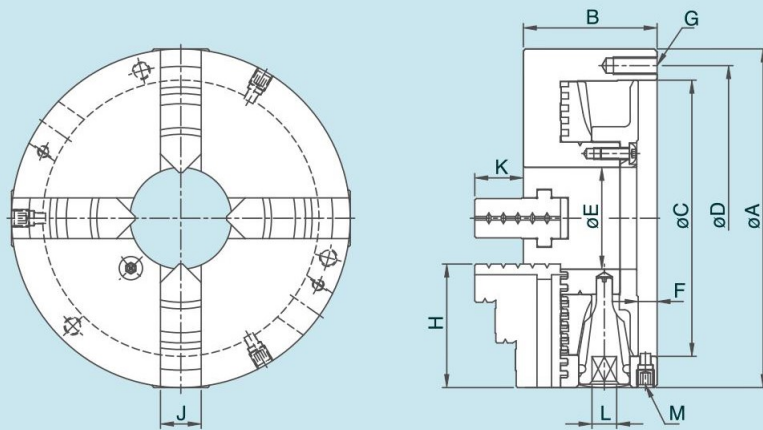


FCT 4-JAW ADJUSTMENT STEEL BODY SCROLL CHUCKS

可調式普通型四爪鋼殼夾頭

尺寸圖 » Dimensions



規格表 » Specifications

單位/UNIT:mm

型式/規格 MODEL / SPEC.	A	B	C	D	E	F	G	H	J	K	L	M	最高迴轉速 Max.Speed r.p.m.(min ⁻¹)	把握範圍 Max. Gripping Diameter		淨重 Weight (kg)
														外徑把握 O.D.Clamping	內徑把握 I.D.Clamping	
FCT-07	193	85	155	172	58	12	3-M10x1.5P	75	24	28.5	11	3-M12x1.75P	3500	$\phi 4 \sim \phi 180$	$\phi 56 \sim \phi 170$	13.2
FCT-09	233	92	190	210	70	12.5	3-M12x1.75P	85	28	33	12	3-M12x1.75P	2900	$\phi 5 \sim \phi 220$	$\phi 62 \sim \phi 210$	20.7
FCT-10	275	98	230	250	89	12.5	3-M12x1.75P	98	30	38	12	3-M12x1.75P	2500	$\phi 6 \sim \phi 260$	$\phi 70 \sim \phi 250$	29.8
FCT-12	310	111	260	285	105	14	3-M12x1.75P	110	32	45	14	3-M12x1.75P	2200	$\phi 10 \sim \phi 300$	$\phi 86 \sim \phi 290$	44.4