

## 大孔徑內藏式油壓夾盤

內藏式中空油壓夾盤適用於工作台面的  
 鉗、銑加工而設計。

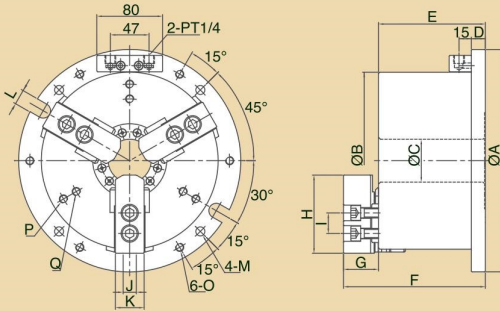
新產品  
**NEW**



- 1.氣缸防銹處理：**在潮溼及工作環境較差的情況，氣缸內部經防銹處理，不會生銹或卡死。
- 2.防塵裝置：**在工作台上的鉗銑工作、切屑及冷卻液不易進入夾盤內部，確保夾盤的使用壽命及精度。
- 3.內藏式油缸特性：**把油缸直接裝置於夾頭內部，更能確保連結的穩定性、提升夾持力，適用於重切削及夾持精度的保持，倍增機械效益。

With built-in type cylinder, it is ideal for machining application on working table.

### 尺寸圖 » Dimensions



- 1.Rust-proof for Pneumatic Cylinder:**  
 Inside wall of cylinder being rustproof treated; cylinder can work under wet or high moisture circumstances without rusty or seized trouble.
- 2.Dusts-proof and Waterproof:**  
 Dust-proof and Waterproof structure prevents work-chips and coolant water from entering into inside of chuck cylinder to maintain its accuracy and lead to longer service life.
- 3.Benefit of Built-in Cylinder:**  
 The cylinder is connected to chuck itself directly for obtaining better stability, less space, and higher machining efficiency.

### 規格表 » Specifications

單位/UNIT:mm

型式/規格 MODEL /SPEC.	A	B	C	D	E	F	G	H	I	J
MB-06	228	173	45	16	118	158	40	73	20	12
MB-08	270	215	52	17	130	172.5	42	95	25	14
MB-10	315	256	75	19	146	190.5	46	110	30	16
型式/規格 MODEL /SPEC.	K	L	M	O	P	Q	活塞面積 Piston Area (cm <sup>2</sup> )			
MB-06	31	18	4-ø11(PCDø202)	M10x1.5P	3-M8x1.25P(PCDø134)	--	97			
MB-08	35	18	4-ø11(PCDø243)	M10x1.5P	3-M10x1.5P(PCDø150)	3-M10x1.5P(PCDø186)	156			
MB-10	40	18	4-ø13(PCDø285)	M12x1.75P	3-M12x1.75P(PCDø182)	3-M12x1.75P(PCDø232)	226			
型式/規格 MODEL /SPEC.	柱塞行程 Plunger Stroke (mm)	爪行程(直徑) Jaw Stroke (Diameter)(mm)	最大靜夾持力 Max.Gripping Force kgf	(kN)	最大設定油壓壓力 Max. Hydr. Pressure kgf/cm <sup>2</sup>	(MPa)	夾持範圍 Gripping Range	淨重 Weight (kg)		
MB-06	12	5.5	5040	(49.4)	20	(2.0)	ø20~ø173	21.7		
MB-08	16	7.4	8100	(79.4)	20	(2.0)	ø25~ø215	35.5		
MB-10	19	8.8	12330	(120.9)	21	(2.1)	ø37~ø256	54		